

JACKOBOARD® Aqua Line pro

Channel Drain Shower Base.



Installation Instructions



JACKOBOARD® Aqua Line pro – System components

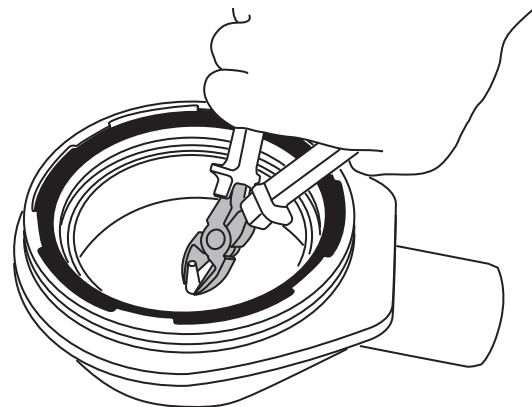


- ① JACKOBOARD® Aqua Line pro
- ② JACKOBOARD® Aqua Line pro - Horizontal Drain (Art. No. 4510370)
- ③ JACKOBOARD® Aqua Line pro - Vertical Drain (Art. No. 4510371)
incl. HT double sleeve (optional: for pipes without sleeves)

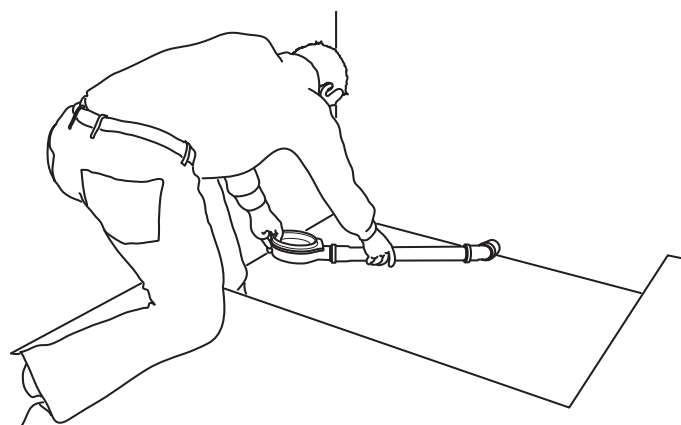
Other accessories you will need

- JACKOBOARD® Sealing set
- Tile adhesive
- Levelling screed or JACKOBOARD® Aqua Base (base element)

1) The plastic pin is not needed when using JACKOBOARD® Aqua Line pro and must be removed.

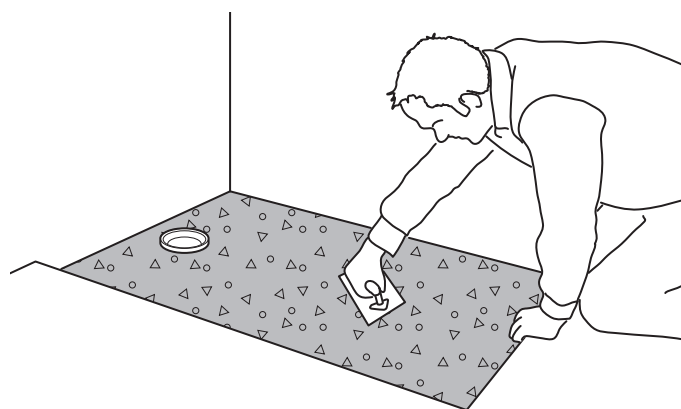


2) Insert the floor drain into the existing DN 50 pipe. Adjust the floor drain to the required height. The required clearance between the upper edge of the floor drain and the upper edge of the surrounding floor screed equates to the thickness of the shower element (60, 70 or 80 mm) + approx. 5 mm tile adhesive. (see the "installation height" sketch on page 7).



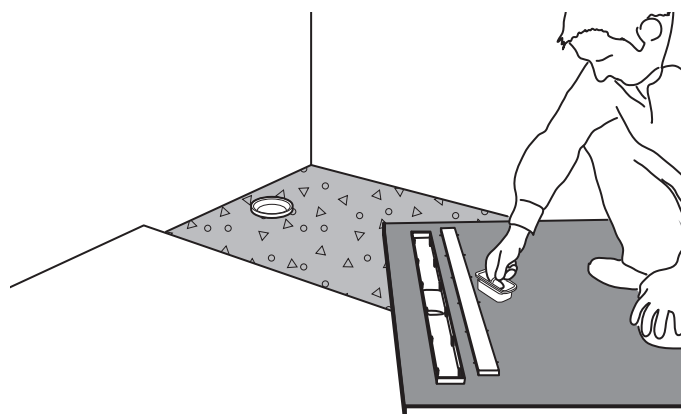
In the case of floor structures with impact sound insulation, the installation of suitable impact sound insulation and edge insulation strips must be included in the planning.

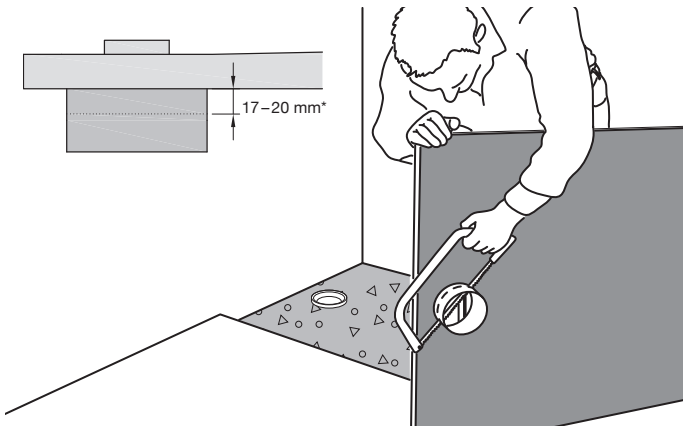
3) The floor recess is filled with levelling screed and smoothed flat. The resulting surface must be flat and horizontal. The height difference to the surrounding floor screed equates to the thickness of the shower element (60, 70, 80 mm) + approx. 5 mm tile adhesive. The floor drain must bond firmly with the mortar to enable load absorption.



JACKOBOARD® Aqua Base (base element) can also be used to balance out the height difference.

4) Remove the odour trap from the shower element.

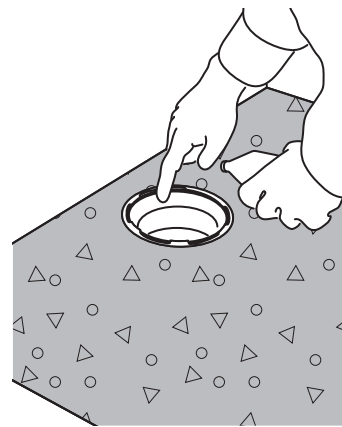
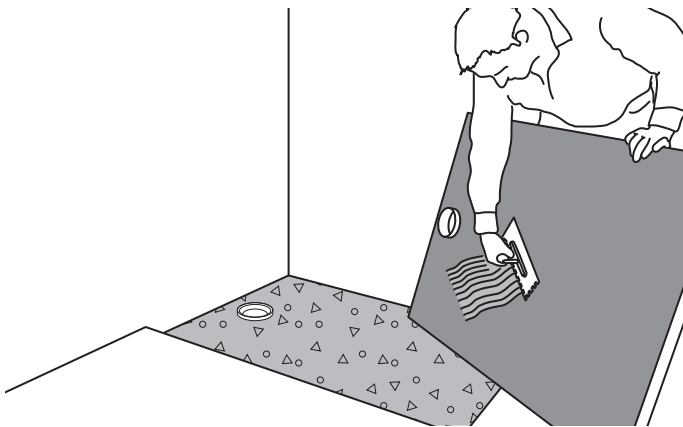




*12 - 15 mm into the drain bowl + 5 mm bonding mortar

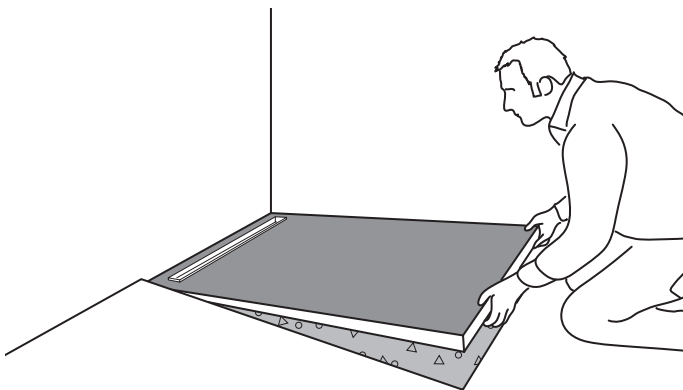
5) Using a saw, cut the connecting piece beneath the board to the right length. Make sure the cut is right-angled, straight and parallel to the board. We recommend the use of a steel saw or angle grinder. Then use a sanding block to smooth the connecting piece.

Make sure the connecting piece inserts at least 12 mm into the drain bowl to ensure leak tightness.

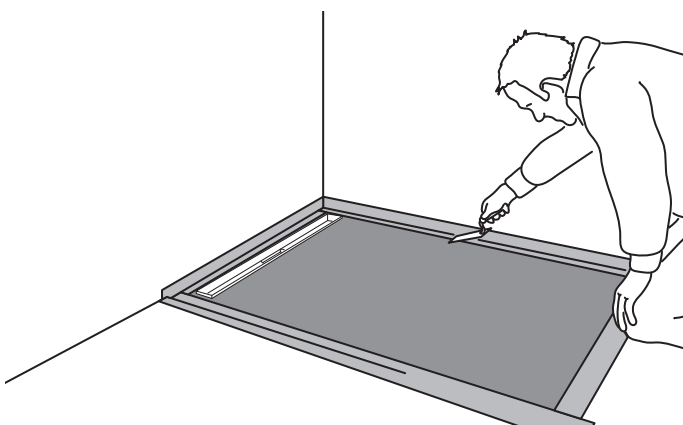


6) Coat the entire underside of the shower element with tile adhesive.

Grease the seal ring on the floor drain to facilitate installation of the shower element.

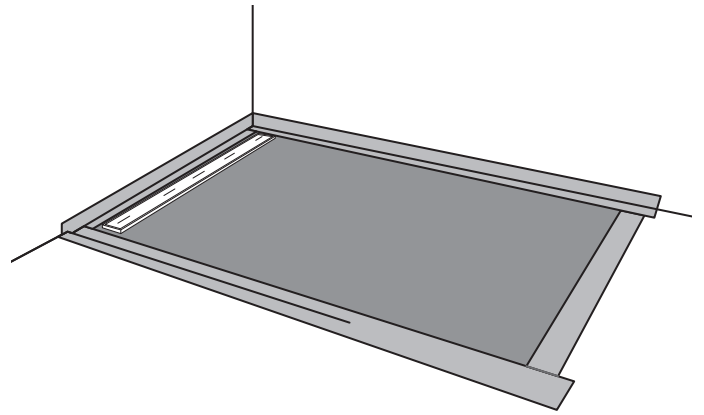


7) Position JACKOBOARD® Aqua Line pro in the screed recess, making sure the drain nozzle on the channel fits into the seal ring on the drain.

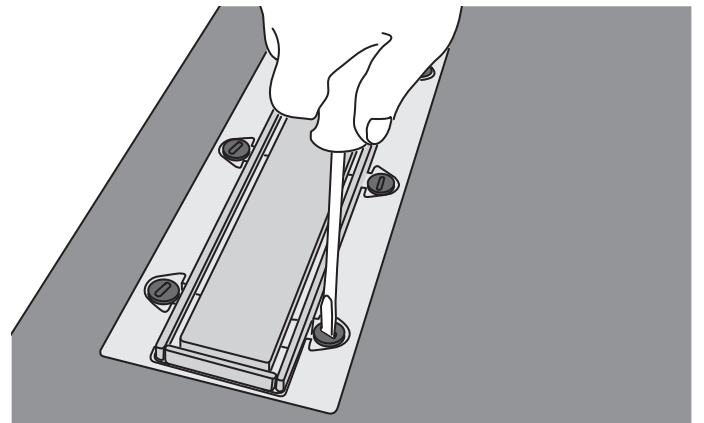


8) All connecting joints are sealed with the JACKOBOARD® sealing set (or equivalent).

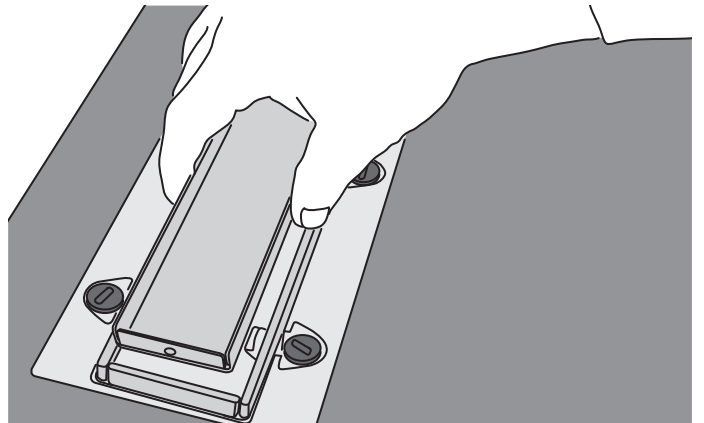
9) Installation of JACKOBOARD® Aqua Line pro is finished; the shower element can now be tiled.



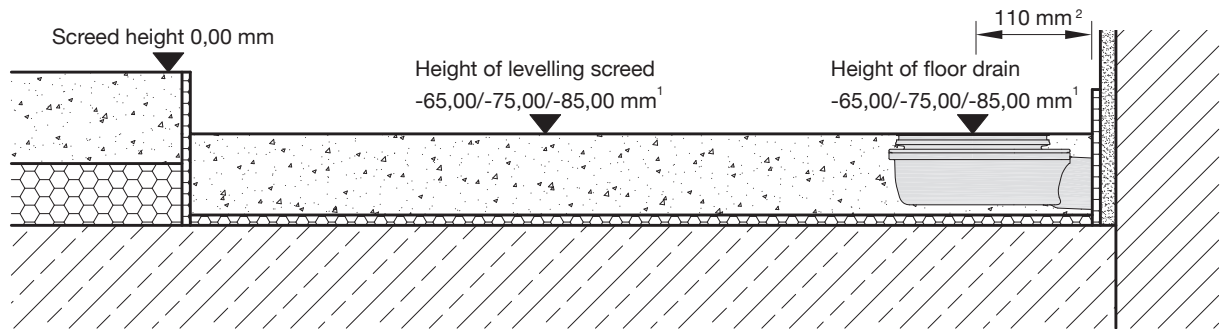
10) The channel is height variable and can be adjusted to different tile thicknesses (6–21 mm). Change the height by adjusting the red screws with a slotted screwdriver.



11) The stainless steel track can be tiled on the back. Simply turn it over and tile it.



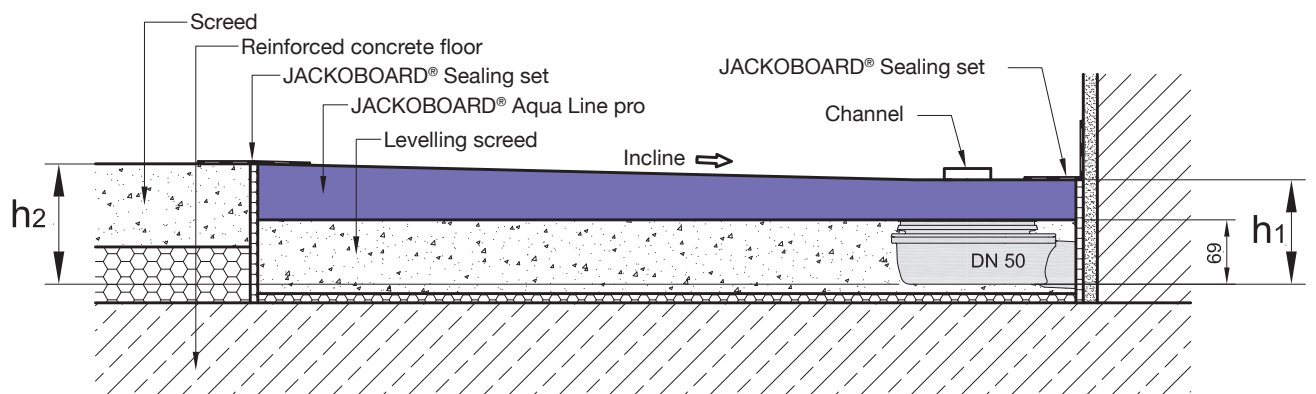
JACKOBOARD® Aqua Line pro – Installation heights



¹ Shower element (60, 70 or 80 mm) + mortar (5 mm)

² Standard dimensions: space the channel 75 mm from the edge.

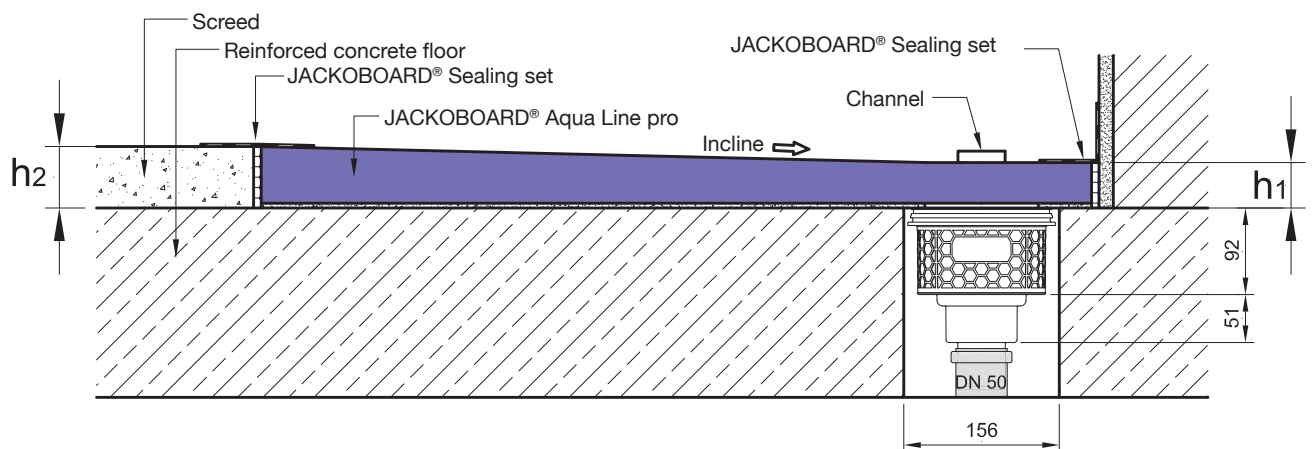
JACKOBOARD® Aqua Line pro – Horizontal drain



$h_1 = 114$ mm (minimum installation height in the channel area)

$h_2 = 129$ mm (minimum installation height for 1000 mm length)
 139 mm (minimum installation height for 1500 mm length)
 149 mm (minimum installation height for 2000 mm length)

JACKOBOARD® Aqua Line pro – Vertical drain



$h_1 = 48$ mm = thickness of shower element (43 mm) + 5 mm mortar (min. height in the channel area)

$h_2 = 65, 75$ or 85 mm = thickness of shower element (60, 70 or 80 mm) + 5 mm mortar

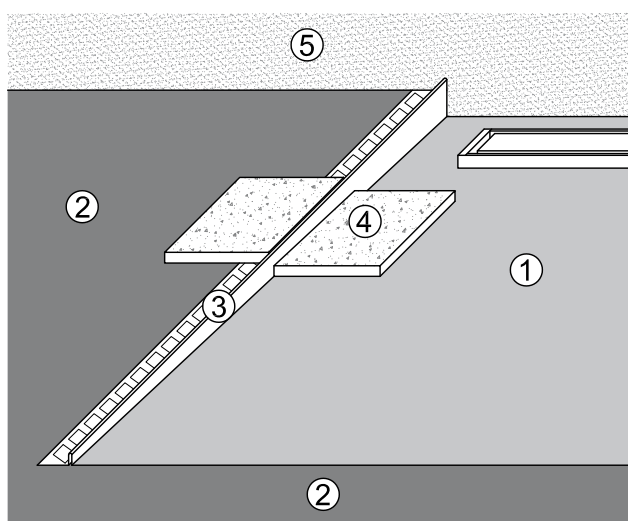
Notes for laying tiles and boards on JACKOBOARD® Aqua Line pro

JACKOBOARD® Aqua Line pro is immediately tileable. All types and sizes of tiles can be used in principle. Special requirements only apply to mosaic tiles ≤ 25 mm. In such cases, we recommend using epoxy resin grout for the tile joints.

If showers are to be wheelchair-accessible, they must be covered with tiles measuring $\geq 50 \times 50$ mm.

The tiles must be laid with cross-fall between the channel and the wall.

Lateral closure JACKOBOARD® Aqua Line Profile



The sloping JACKOBOARD® Aqua Line Profile (available as an accessory) can be inserted between the edge and the screed. The sloping profile is available as a left version (illustrated) or as a right version.

- ① JACKOBOARD® Aqua Line pro
- ② Screed
- ③ JACKOBOARD® Aqua Line Profile (left version)
- ④ Tile
- ⑤ Wall

Please note

The information in this leaflet is based on our experience and current materials specification. It represents no specific guarantee and the instructions for use outlined should be always observed together with considerations regarding building structure and existing Building Law.