



## WATERGUARD MEMBRANE FOR FLOORS AND WALLS DATASHEET

### Technical Data

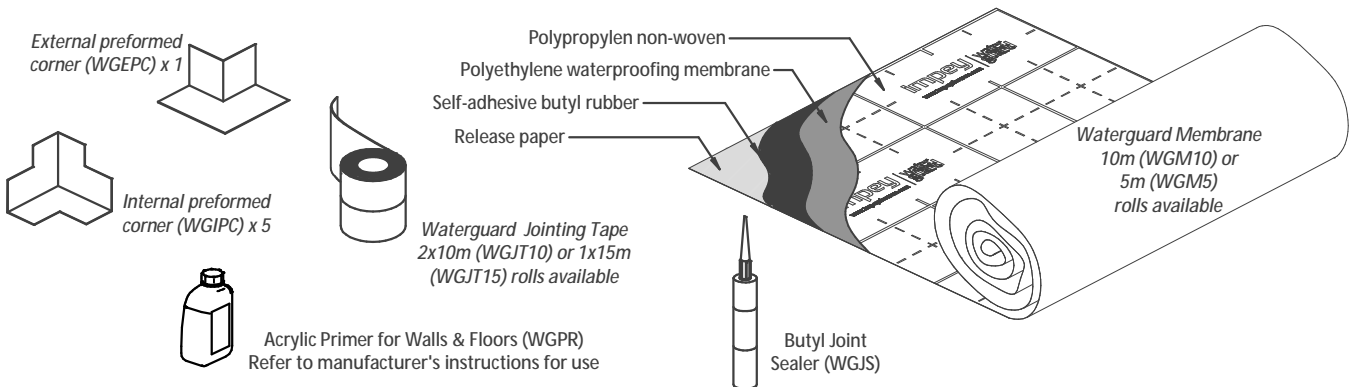
Description	Butyl rubber coated, self-adhesive sealing membrane including release liner for easy removal. The non-woven allows a good cementation with common tile adhesives or sealants; structure embossing.		
Material Composition	Substrate: Polypropylene non-woven, Membrane: Polyethylene waterproofing membrane Coating: Self-adhesive butyl rubber, highly elastic, resistant to ageing.		
Application	Sealing membrane to be applied with tiles or natural stones for flexible waterproofing on floors. Suitable for indoor application for medium loads of non-pressurized water (e.g. domestic bathrooms).		
Sizes Available	Waterguard membrane 10m (WGM10), 5m (WGM5)		
Dimensions/Weight	Total width: 1000mm Total thickness (approx.): 0.95mm Total weight (approx.): 915g/m <sup>2</sup>		
Physical Properties (approx.)	Burst pressure max.:	Internal	(2.3 bar)
	Breaking load longitudinal:	DIN EN ISO 527-3	(5.6 N/15mm)
	Breaking load lateral:	DIN EN ISO 527-3	(32.2 N/15mm)
	Extension break longitudinal:	DIN EN ISO 527-3	(107.6%)
	Extension break lateral:	DIN EN ISO 527-3	(316.1%)
	Power absorption at 25% elasticity lateral:	DIN EN ISO 527-3	(24.6 N/mm)
	Power absorption at 50% elasticity lateral:	DIN EN ISO 527-3	(27.5 N/mm)
	Peel test on neutral PVC carrier:	Internal	(>10N/20mm)
	Resistance to water pressure:	DIN EN 1928 (Version B)	(vertical > 1bar horizontal 0.2bar)
	Crack bridge test	Internal	> 10 mm
	Bonding test on plasterboard	Internal	0,169 N/mm <sup>2</sup>
	Bonding test on cementboard	Internal	0,179 N/mm <sup>2</sup>
	Bonding test on plyboard	Internal	0,113 N/mm <sup>2</sup>
Max weight load recommendation of wall tiling	Tested Substrates Plasterboard, Cementboard. The substrate must be structurally sound, dust-free, clean and able to bear weight. Oil stains, residues which could impair adhesion and other spills must be thoroughly removed. Maximum temperature stress 23°C. Are these circumstances given, we recommend a maximum load of 30kg / m <sup>2</sup> .		
Resistance To Temperature	Min. -5°C, Max. 60°C		
Chemical Properties	Resistance to a wide range of chemical liquids		
Storage	Cool and dry, protect against sunlight, use within 12 months after receipt		
Colour	Grey (coating), white (membrane)		
Additional Parts (available separately)	External preformed corner (WGEPC), Internal preformed corner (WGIPC), Butyl Joint Sealer (WGJS), Waterguard jointing tape (WGJT10) or (WGJT15), Acrylic Primer for Walls & Floors (WGPR)		

Certified according to DIN EN ISO 9001: 2008

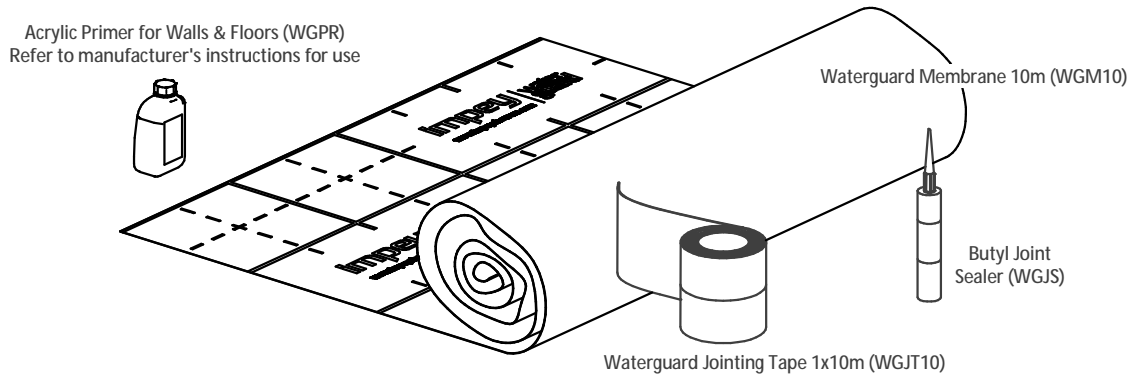
Impey Showers Ltd reserves the right to change the design of specification without prior notice. All values are approximate.

Impey Showers Ltd, info@impeyshowers.com t.01460 260080 f.01460 259800 www.impeyshowers.com

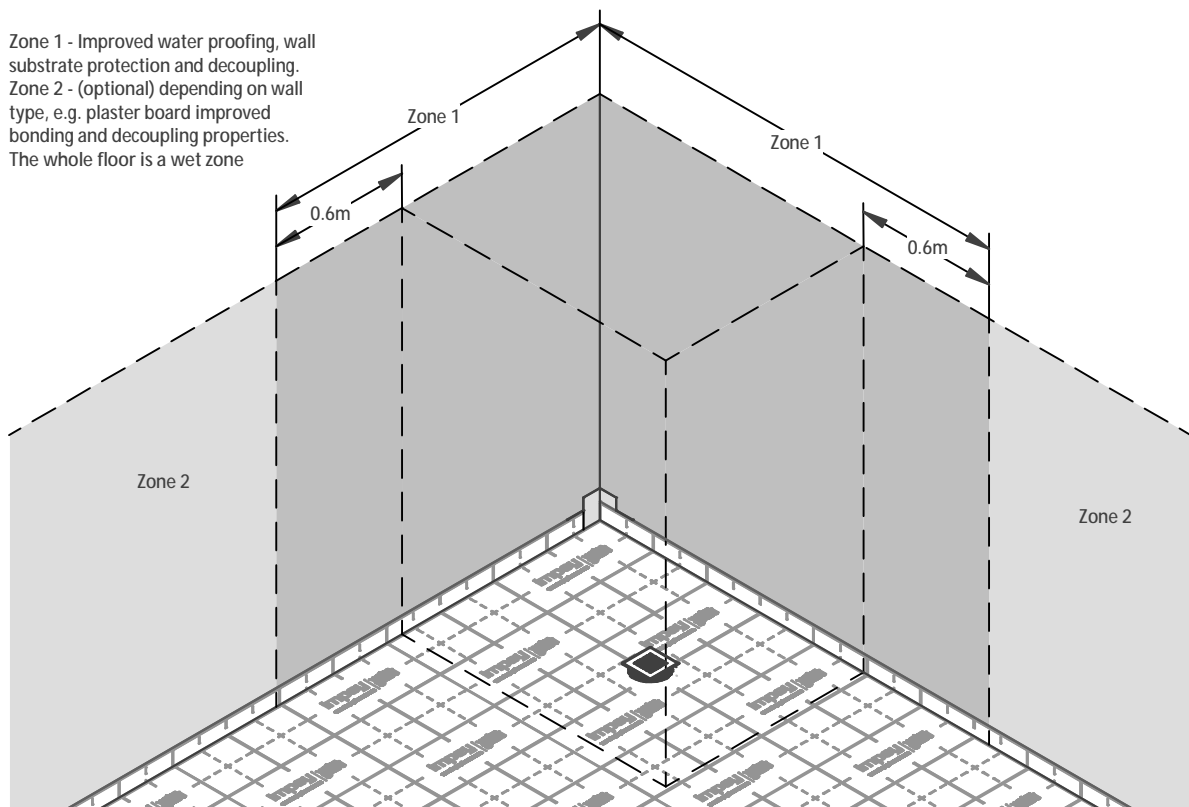
## Waterguard Membrane Components For Floors



## Waterguard Membrane Components For Walls



Zone 1 - Improved water proofing, wall substrate protection and decoupling.  
 Zone 2 - (optional) depending on wall type, e.g. plaster board improved bonding and decoupling properties.  
 The whole floor is a wet zone



Ensure floor is covered with Waterguard Membrane before carrying out wall application.